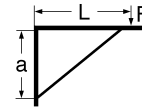
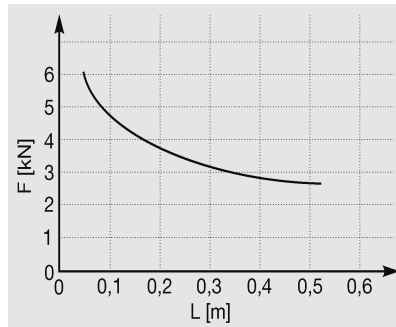
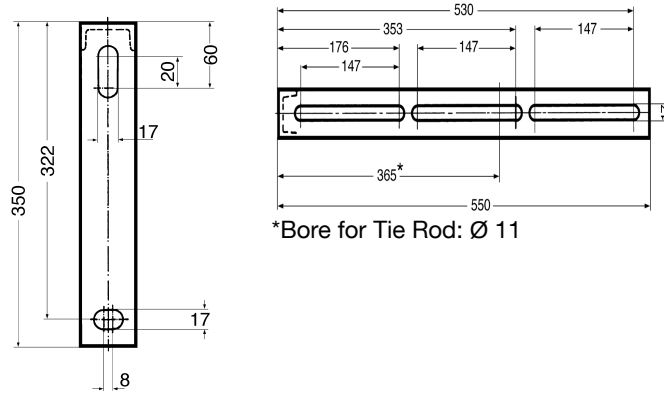


### Support Bracket WK 550/350



Anchor load classes  
(top/bottom):  
6.0/3.5 kN  
 $a = 280 \text{ mm}$   
 $f < L/400$   
 $\sigma_{\text{perm}} \leq 160 \text{ N/mm}^2$